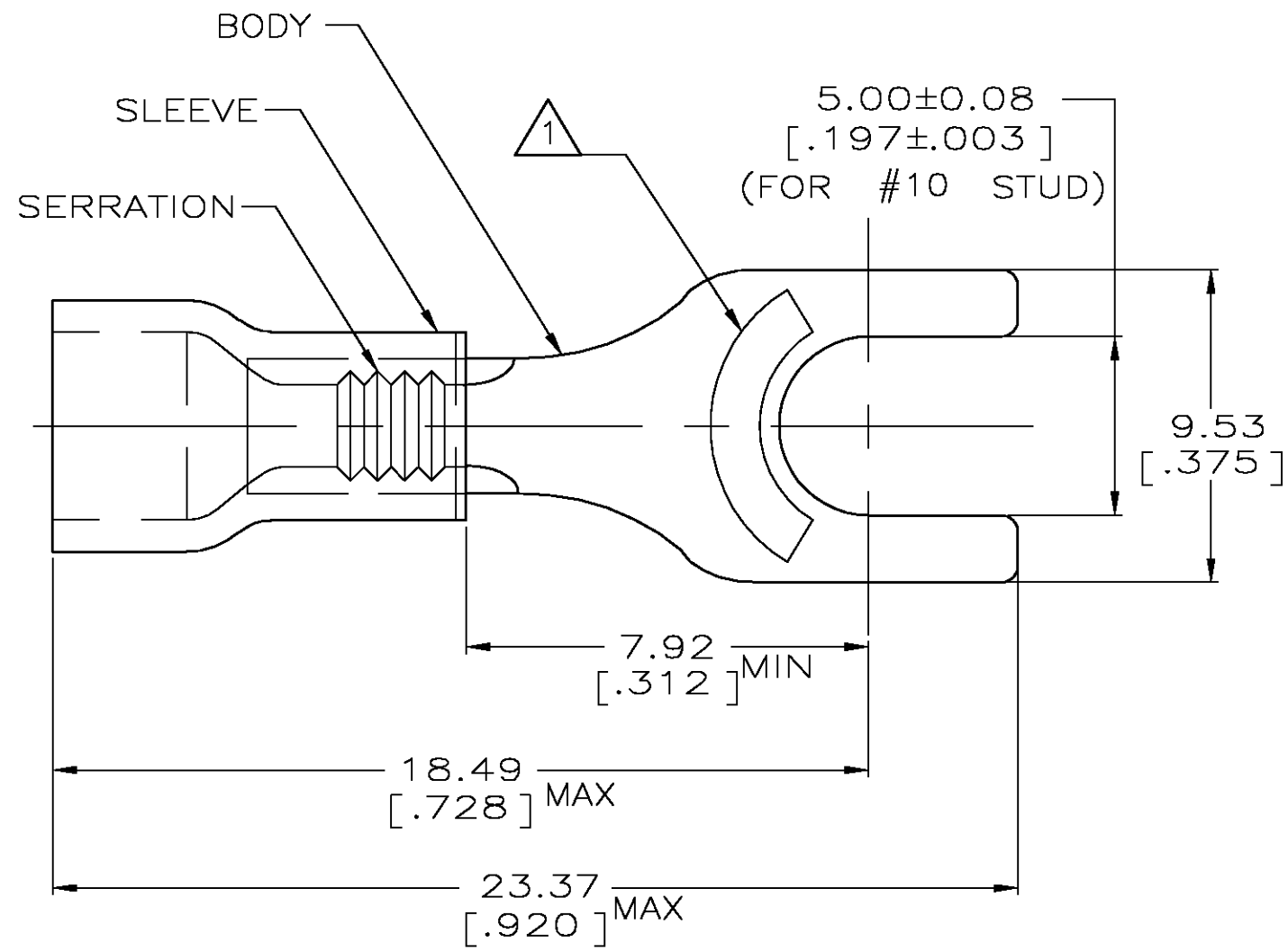


THIS DRAWING IS UNPUBLISHED. RELEASED FOR PUBLICATION
 © COPYRIGHT BY TYCO ELECTRONICS CORPORATION. ALL RIGHTS RESERVED.

| LOC | DIST | REVISIONS | | | | | |
|-----|------|-----------|-----|----------------------|---------|-----|------|
| G | 14 | P | LTR | DESCRIPTION | DATE | DWN | APVD |
| | | | L | REV PER 0G3A-0644-04 | 17AUG04 | JR | TM |

| | | |
|--------------------------------|--------------------------------|--------------------------------|
| AMP WIRE RANGE | Listed FILE E13288 | LR7189 Certified |
| 22-16 AWG SOLID OR STRANDED | 22-16 AWG SOLID OR STRANDED | 22-16 AWG SOLID OR STRANDED |



- △1 STAMP AMP 22-18* APPROX AS SHOWN
22-16 TERMINALS ARE STAMPED 22-18 IN
ACCORDANCE WITH MILITARY SPEC MIL-T-7928
COMMERCIAL WIRE RANGE IS 22-16
- 2. WIRE INSUL DIA, 2.67 - 3.56 [.105-.140]
- 3. TONGUE MATL THK, 0.79±0.05 [.031±.002]
- △4 REPLACED BY 2-34156-1
- △5 MATERIAL: BODY - CU PER ASTM B152
SLEEVE - PVC, COLOR - RED

| 50 | LOOSE PIECE, BAG | 8-34156-5 |
|------|------------------|-----------|
| 5 | LOOSE PIECE, BLS | 8-34156-4 |
| 100 | LOOSE PIECE, BOX | 8-34156-1 |
| 5000 | ON TAPE, REEL | 2-34156-4 |
| 5000 | ON TAPE, REEL | 2-34156-1 |
| 1000 | LOOSE PIECE | 34156 |
| QTY | PACKAGE TYPE | PART NO |

△4 OBSOLETE

| | | | | | | | |
|--|--|---|--|---|----------------------------|---|--------------------|
| AMP INCORPORATED CUSTOMER SERVICE SYSTEMS | | MAX RECOMMENDED OPERATING TEMPERATURE: 105°C [221°F] | THIS DRAWING IS A CONTROLLED DOCUMENT. | | DWN G VINSON 07NOV94 | Tyco Electronics Corporation Harrisburg, Pa 17105-3608 | |
| FOR ADDITIONAL PRODUCT INFORMATION OR COPIES OF DRAWINGS AND TECHNICAL DOCUMENTS | PRODUCT INFORMATION CENTER 1-800-522-6752 | VOLTAGE RATING: 600V MAX (1000V FIXTURE OR SIGN) | DIMENSIONS: mm [INCHES] | TOLERANCES UNLESS OTHERWISE SPECIFIED: | CHK M ELLIS 07NOV94 | NAME TERMINAL, SPADE, PLASTI-GRIP WIRE SIZE: 22-16 AWG | |
| FOR APPLICATION TOOLING INFORMATION | TOOLING ASSISTANCE CENTER 1-800-722-1111 | CIRCULAR MIL AREA: 0.26-1.65mm² [509-3260] SOLID OR STRANDED | | 0 PLC ± - 1 PLC ± - 2 PLC ± 0.20 [.008] 3 PLC ± - 4 PLC ± - ANGLES ± - | APVD G NGO 07NOV94 | PRODUCT SPEC UL 486A | SIZE A3 |
| FOR ORDER ENTRY | 1-800-526-5142 | THIS DRAWING IS A CONTROLLED DOCUMENT FOR AMP INCORPORATED. IT IS SUBJECT TO CHANGE AND THE CONTROLLING ENGINEERING ORGANIZATION SHOULD BE CONTACTED FOR THE LATEST REVISION. | MATERIAL -5 | FINISH - | APPLICATION SPEC - | WEIGHT - | CAGE CODE 00779 |
| | | | | | DRAWING NO C-34156 | | RESTRICTED TO - |
| | | | | | CUSTOMER DRAWING | | SCALE 6:1 |
| | | | | | | | SHEET 1 OF 1 |
| | | | | | | | REV L |